

# TX-BGRWPY10B140-001C

## PRODUCT SPECIFICATION

Approved by:

Checked by:

Prepared by:

<b>Part No.</b>	TX-BGRWPY10B140-001C	<b>Spec No.</b>	WKF-BB9035	<b>Page</b>	1 of 10
-----------------	----------------------	-----------------	------------	-------------	---------

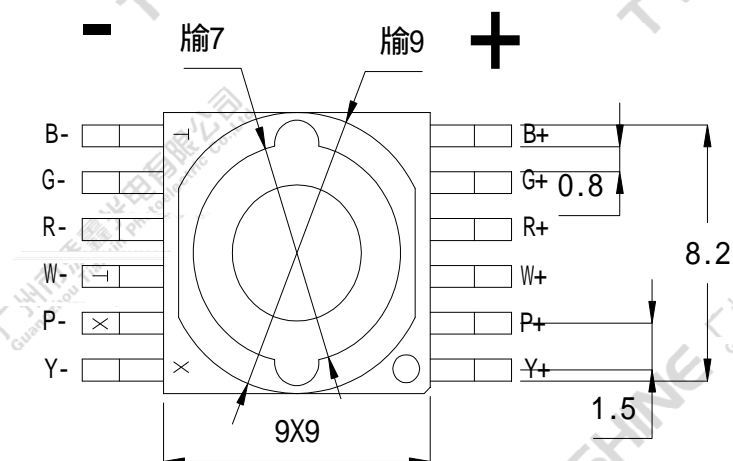
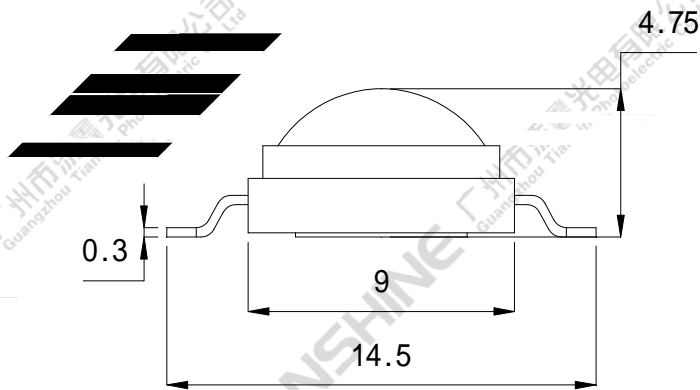
**Features:**

- ✧ Excellent Transiting Heat from LED Chip Operating under 400mA
- ✧ High Luminous Output
- ✧ No UV

**Typical purpose:**

- ✧ Portable Flashlight
- ✧ Garden lighting
- ✧ General Lighting

**Package Dimensions:**



**Notes:**

- 1. Thermoelectric integrated White chip packaged in this product.
- 2. All dimensions are in millimeters (inches).
- 3. Tolerance is  $\pm 0.25$  mm (0.01") unless otherwise noted.

Part NO.	Chip Material							Lens Color	Source Color
	Blue	Green	Red	White	Purple	Yellow			
TX-BGRWPY10B140-001C								Water Clear	Blue $\pm Qq$ /Cs1 cs 0 0 0 s

**Absolute Maximum Ratings at Ta=25 "**



**Notes:**

- 1. Specifications are subject to change without notice.
- 2. The data on this specification is for reference only and the actual data is in accordance with the acknowledgment.
- 3. Precautions for ESD:  
 STATIC SHIELD Electricity and surge damages the LED. It is recommended to use a wrist band or anti-electrostatic glove when handling the LED. All devices, equipment and machinery must be properly grounded.

<b>Part No.</b>	TX-BGRWPY10B140-001C	<b>Spec No.</b>	WKF-BB9035	<b>Page</b>	3 of 10
-----------------	----------------------	-----------------	------------	-------------	---------

**TYANSHINE** 广州市天河区 光电有限公司  
Guangzhou Tian Photoelectric Co., Ltd

**TYANSHINE** 广州市天河区 光电有限公司  
Guangzhou Tianxin Photoelectric Co., Ltd

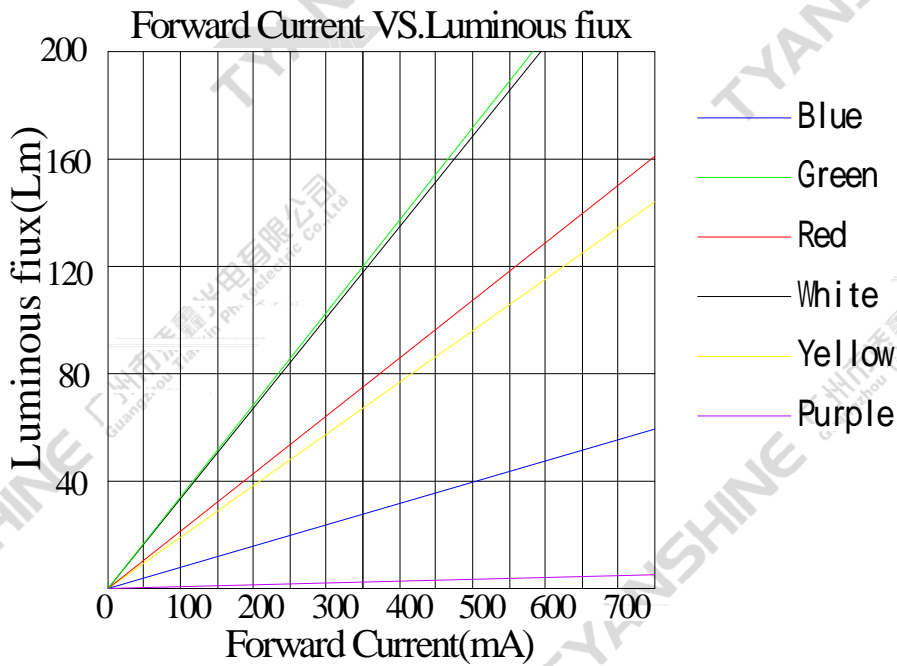
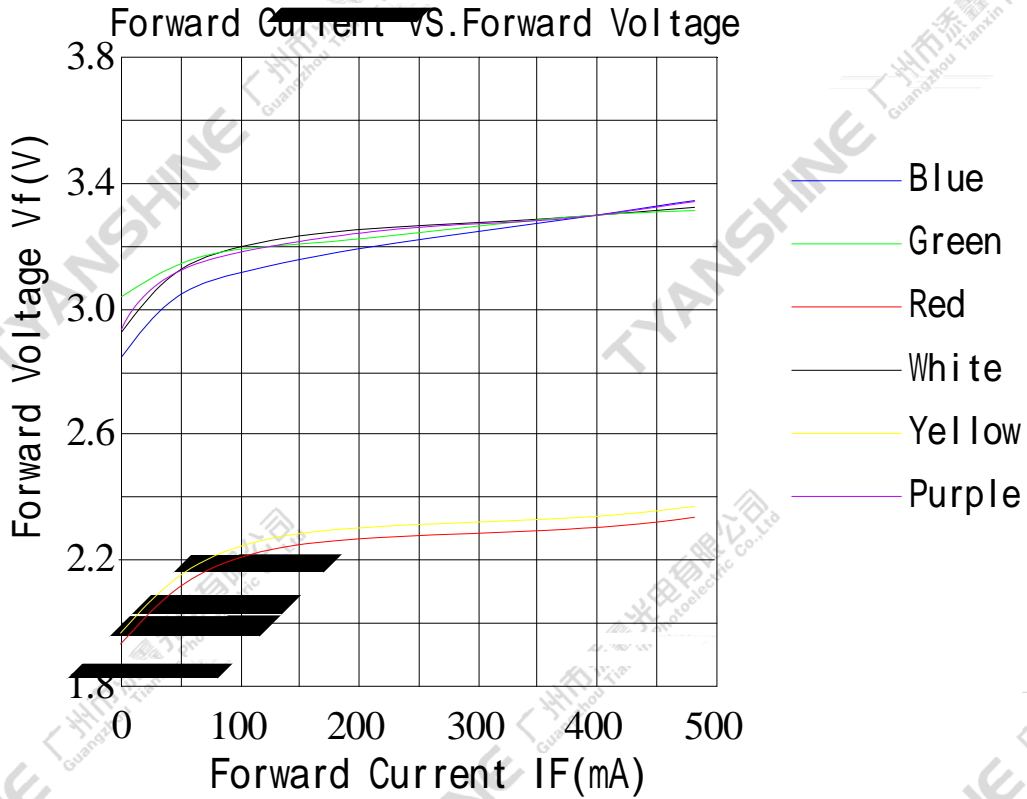
**Notes:**

1. Luminous intensity is measured with a light sensor and filter combination that approximates the CIE eye-response curve.
2.  $\theta_{1/2}$  is the off-axis angle at which the luminous intensity is half the axial luminous intensity
3. The dominant wavelength ( $\lambda_d$ ) is derived from the CIE chromaticity diagram and represents the single wavelength which defines the color of the device.
4. Flux is measured with an accuracy of  $\pm 15\%$ .
5. Forward voltage is measured with an accuracy of  $\pm 0.15V$ .

<b>Part No.</b>	TX-BGRWPY10B140-001C	<b>Spec No.</b>	WKF-BB9035	<b>Page</b>	5 of 10
-----------------	----------------------	-----------------	------------	-------------	---------

# Typical Electrical / Optical Characteristics Curves

(25 ° Ambient Temperature Unless Otherwise Noted)

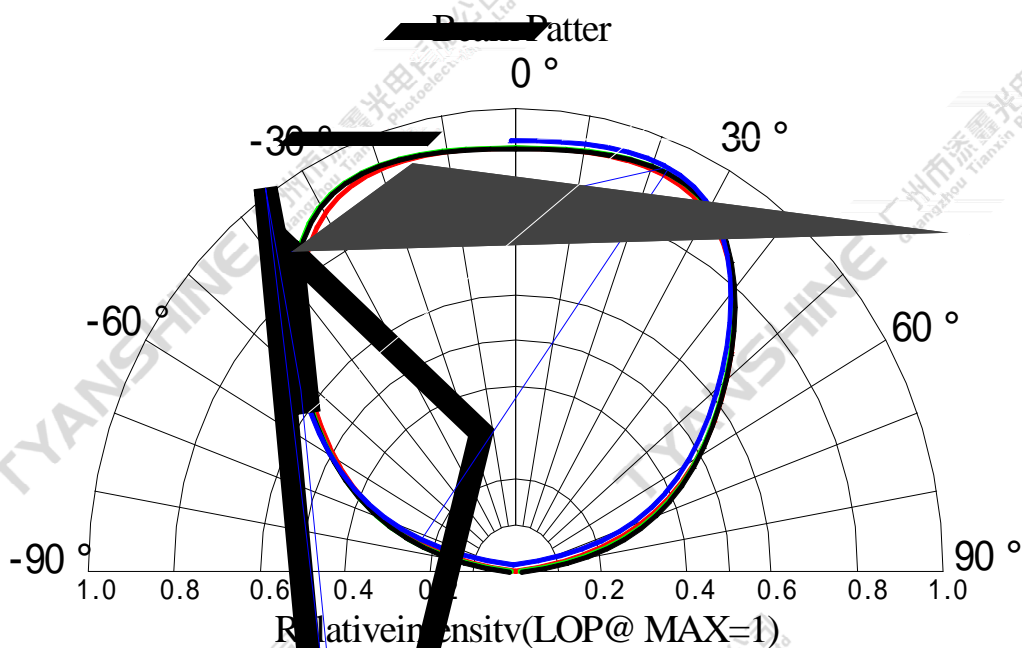


TYANSHINE 广州市天彦光电有限公司  
Guangzhou Tianyan Photoelectric Co., Ltd

TYANSHINE 广州市天彦光电有限公司  
Guangzhou Tianyan Photoelectric Co., Ltd

TYANSHINE 广州市天彦光电有限公司  
Guangzhou Tianyan Photoelectric Co., Ltd

TYANSHINE 广州市天彦光电有限公司  
Guangzhou Tianyan Photoelectric Co., Ltd



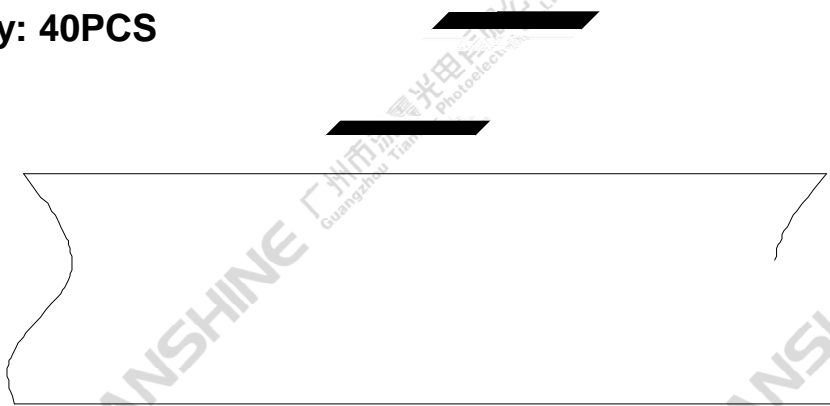


TYANSHINE 广州市天河区光电有限公司  
Guangzhou Tian Photoelectric Co., Ltd

广州市天河区光电有限公司  
Guangzhou Tian Photoelectric Co., Ltd

# Dimensions for Cannulation and Packaging

Quantity: 40PCS



<b>Part No.</b>	TX-BGRWPY10B140-001C	<b>Spec No.</b>	WKF-BB9035	<b>Page</b>	10 of 10
-----------------	----------------------	-----------------	------------	-------------	----------